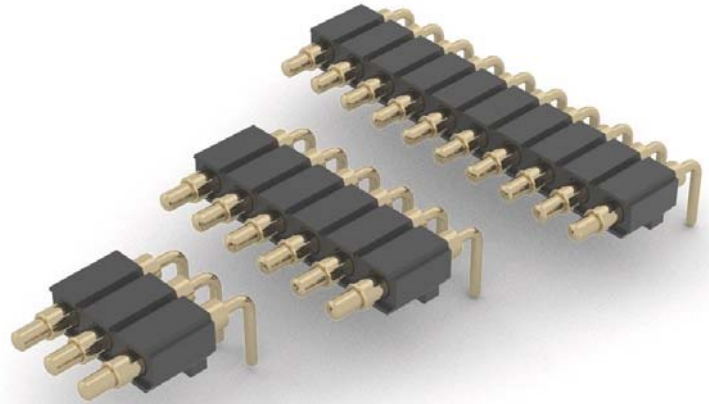
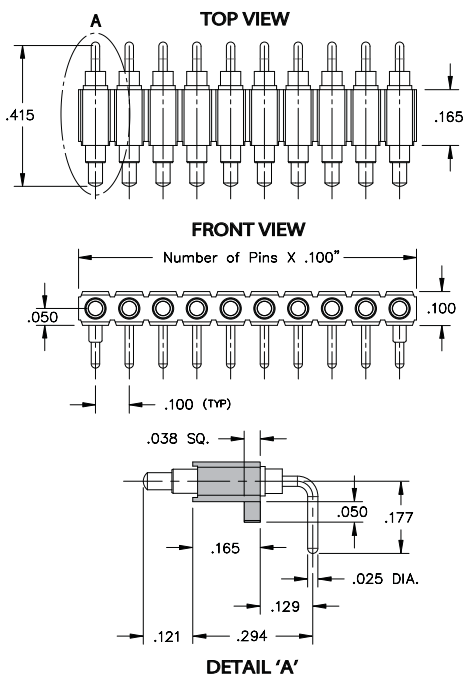
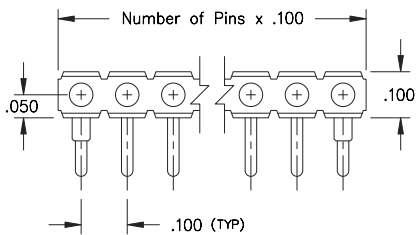


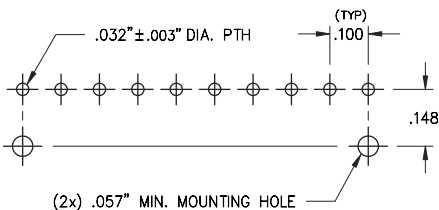
- Modular contacts for use on .100" grid, available in a height of .294", supplied in single contact strips.
- Precision-machined piston / base and gold plated components assure a 1,000,000 min. cycle life.
- Pistons have a .045" mid stroke and .090" max stroke.
- Low resistance, high current contacts are rated at 2 amps continuous, 3 amps peak.
- High temperature thermoplastic insulators are suitable for wave and reflow soldering processes.
- 829 series contact strips are designed for manual placement into  $\varnothing .032 \pm .003$ " plated-thru-holes in the circuit board prior to hand, wave or reflow soldering.



**Single Row Series 829**



**Suggested P.C.B Footprint**



**Ordering Information**

**Series 829**

**Single Row Right Angle**

829-22-0\_\_-20-001101

**Specify # of pins** →

02-10

*For Electrical, Mechanical & Environmental Data, See pg. 4.1*

*For RoHS compliance select  $\diamond$  plating code.*

**Technical Specifications**

**Materials:**

Contact piston & Base: Machined copper alloy plated  $20\mu$ " gold over  $100\mu$ " nickel.  
 Spring: Beryllium copper plated  $10\mu$ " gold  
 Insulator: High temp. thermoplastic rated UL94 V-0

**Mechanical:**

Spring force @ initial height: 25 grams  
 Spring force @ mid stroke: 60 grams  
 Durability: 1,000,000 cycles min.

**Electrical:**

Voltage rating: 100Vrms/150Vdc  
 Current rating: 2A (continuous), 3A (peak) per contact  
 Contact resistance: 20m $\Omega$  max.  
 Insulation resistance: 10,000M $\Omega$  min.  
 Dielectric strength: 700Vrms min.  
 Capacitance: 1pF max.

